



60" Origine Indoor/Outdoor Ceiling Fan

Owner's Manual
Model #27205




SAFETY INSTRUCTIONS

WARNING:

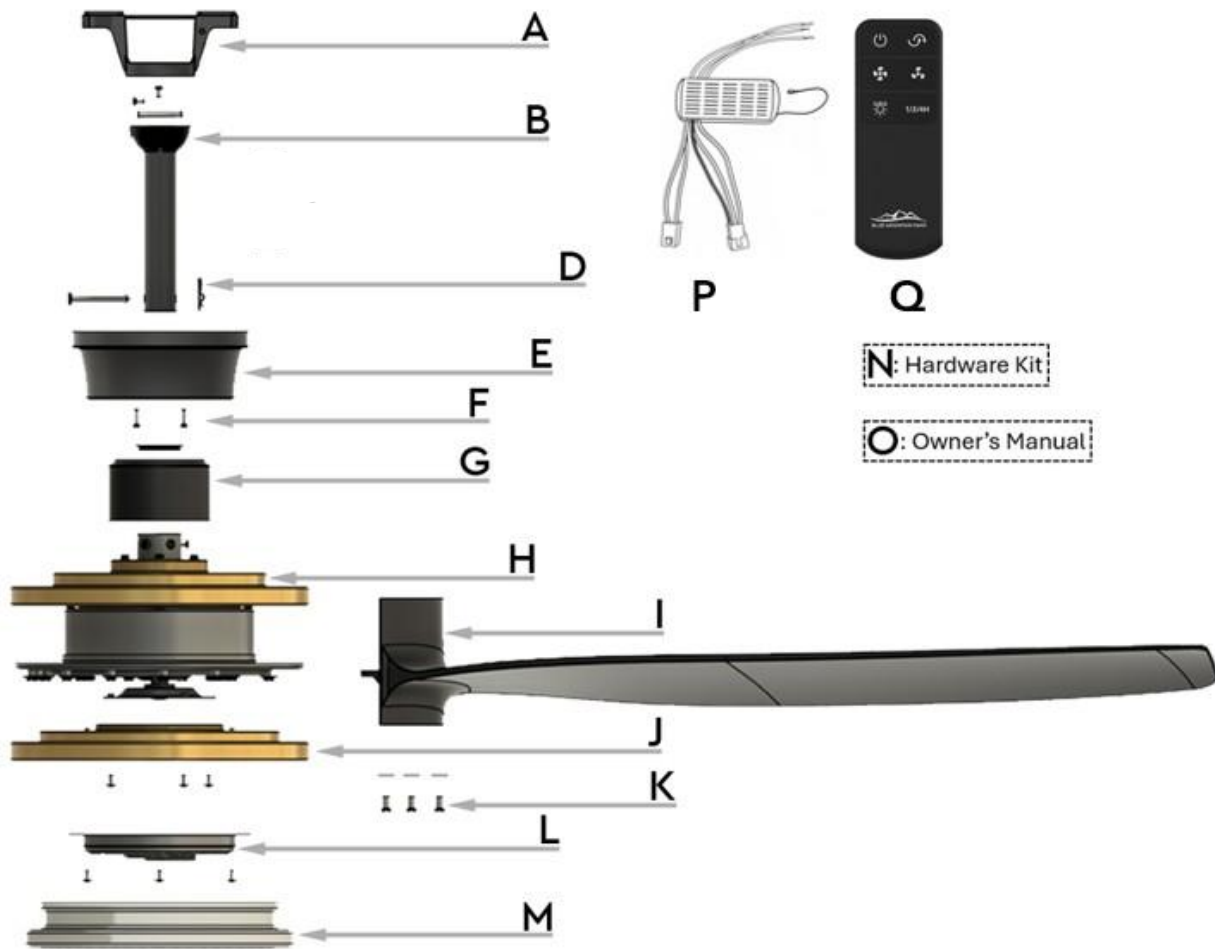
- To avoid risk of electrical shock, be sure to shut off power at the main fuse or circuit breaker panel box before installing or servicing this fixture. Turning off the electrical power by only turning off the light switch may not be sufficient to prevent electrical shock hazard.
- To reduce the risk of fire, electric shock, or personal injury, mount fan to an outlet box marked “acceptable for fan support up to 70 lbs. (32 kg)” and use mounting screws provided with the outlet box. The total installed weight of this fan is approximately 18 lbs. (8.2 kg).
- All wiring must be in accordance with the National Electrical Code ANSI/NFPA 70 and any applicable local codes. Electrical installation should be performed by a qualified licensed electrician.
- To reduce the risk of fire or electric shock, do not use this fan with any solid-state speed control device.
- Do not bend the blade iron brackets when installing the brackets, balancing the blades, or cleaning the fan. Do not insert foreign objects in between rotating fan blades.

CAUTION:

- To reduce the risk of injury, install the fan so that the blades are at least 7 feet (2.1 meters) above the floor and at least 30 inches (0.76 meters) from the tip of the blades to the wall.
- Check and retighten all screws, nuts, and bolts to ensure they are secured prior to operating the fan.
- Be sure the outlet box is properly grounded and that a ground wire (green or bare) is present.
- To reduce the risk of serious bodily injury, do not use power tools to assemble any part of the fan, including the blades.
- To reduce the risk of personal injury, use only parts provided with this fan. The use of parts other than those provided with this fan will void the warranty.
- Do not use water or detergents when cleaning the fan or fan blades. A dry dust cloth or lightly dampened cloth is recommended to prevent scratching and will be suitable for most cleaning.
- In case this fan needs to be returned to the factory for repairs, it must be shipped in its original carton and foam inserts to ensure proper protection against shipping damage that may exceed the initial cause for return.
- Please read and understand these safety instructions and the installation guide before attempting to assemble, install, or operate the fan.

 **IMPORTANT REMINDER:** You must use the parts provided with this fan for proper installation and safety.

PACKAGE CONTENTS

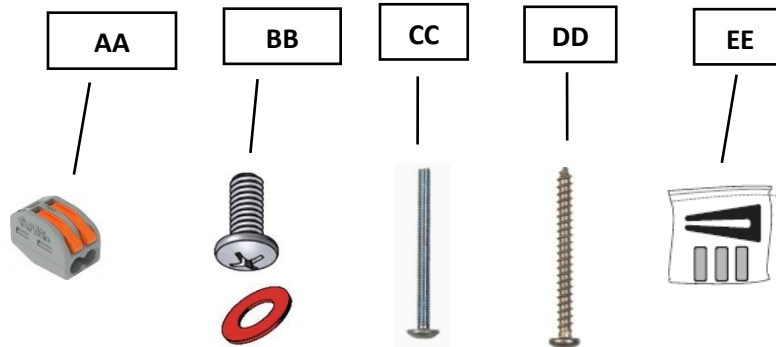


PART	DESCRIPTION	QUANTITY
A	Mounting Bracket	1
B	6" Downrod and Downrod Ball	1
D	Downrod Pin and Clip (pre-installed)	1 each
E	Canopy	1
F	Canopy Screws (pre-installed on mounting bracket)	2
G	Yoke Cover	1
H	Motor Housing	1
I	Blades	5

PART	DESCRIPTION	QUANTITY
J	Light Kit Plate and Screws	1
K	Blade Screws and Washers	15 each
L	LED Light Board and Screws	1
M	Light Kit Glass	1
N	Hardware Bag	1
O	Owner's manual	1
P	Remote Receiver	1
Q	Remote Control and (2) AAA Batteries	1

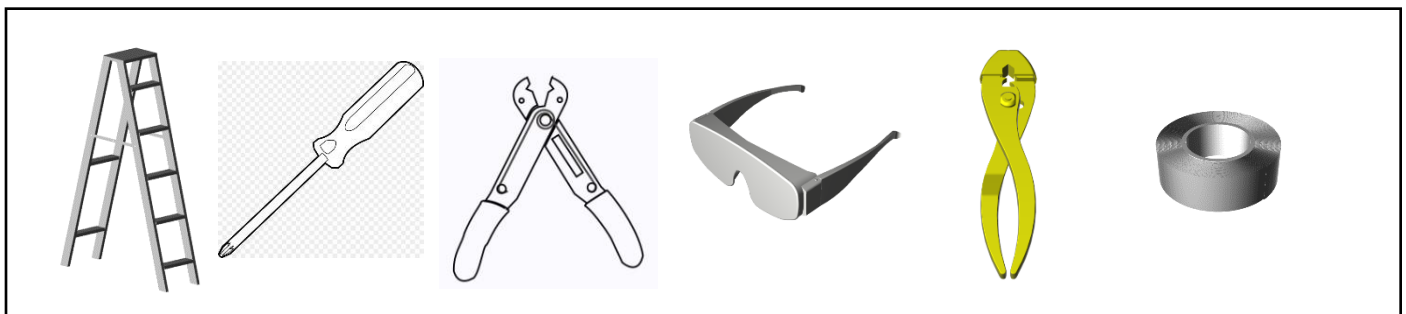
HARDWARE KIT CONTENTS

PART	DESCRIPTION	QUANTITY
AA	Lever Wire Connectors: Two 2-pin, one 3-pin	3
BB	Blade Iron Screws	15
CC	Machine Screws and Lock Washers	2 each
DD	Wood Screws and Washers	2 each
EE	Balance Kit	1



NOTE: For your convenience some extra hardware may be included. The quantity listed above is the number required for installation.

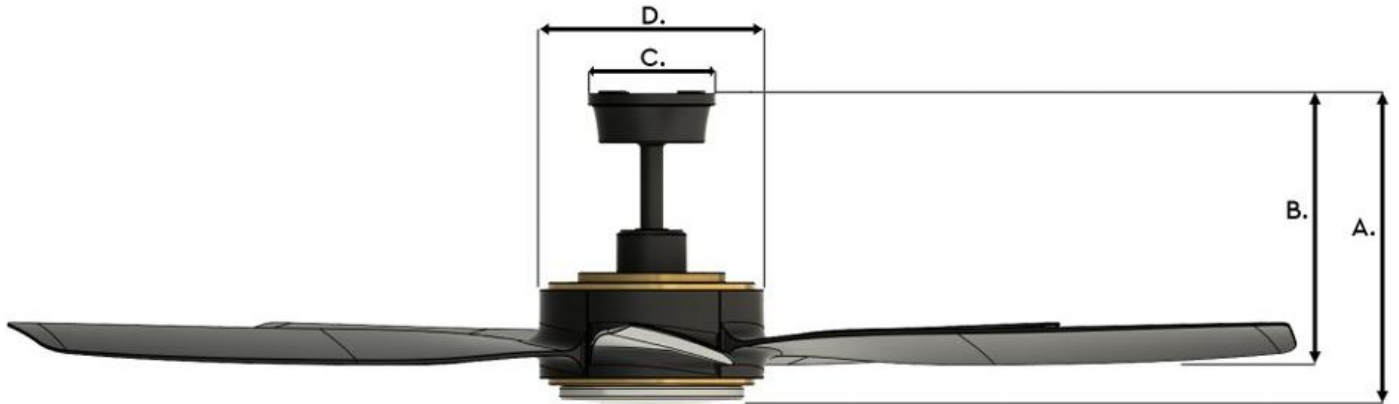
TOOLS REQUIRED (not included)



Tools required for assembly: Step Ladder, Phillips Screwdriver, Wire Strippers, Safety Glasses, Pliers, and Electrical Tape.

Helpful Tools: AC Tester Light/Multimeter, Tape Measure, and Wiring Handbook.

ASSEMBLY INSTRUCTIONS



A: 13.9 in. B: 12.0 in. C: 5.7 in. D: 10.0 in. (Note: Dimensions with 6" down rod)

Choose one of the following mounting options:

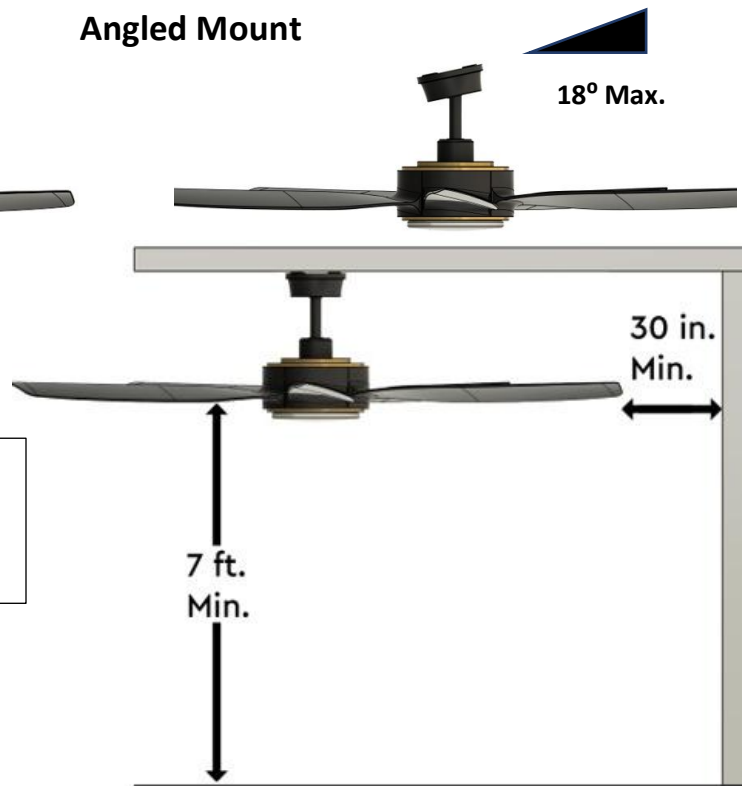
Down rod Mount is best suited for ceilings 10 ft. or higher. For taller ceilings you may want to use a longer down rod (sold separately).

Angled Ceiling Mount is best suited for angled or vaulted ceilings. A longer down rod is sometimes necessary to ensure proper blade clearance from the ceiling. If using the angled mount, check to ensure that the ceiling angle is not steeper than 18 degrees.

Downrod Mount

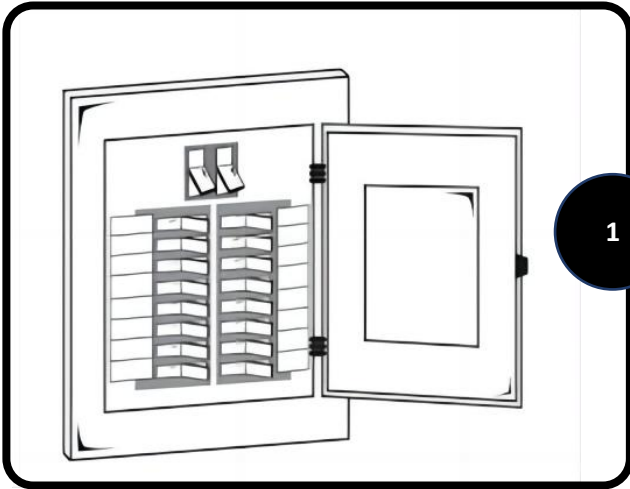


Angled Mount



NOTE: Make sure blades are at least 30 inches from any wall or obstruction and at least 7 feet above the floor.

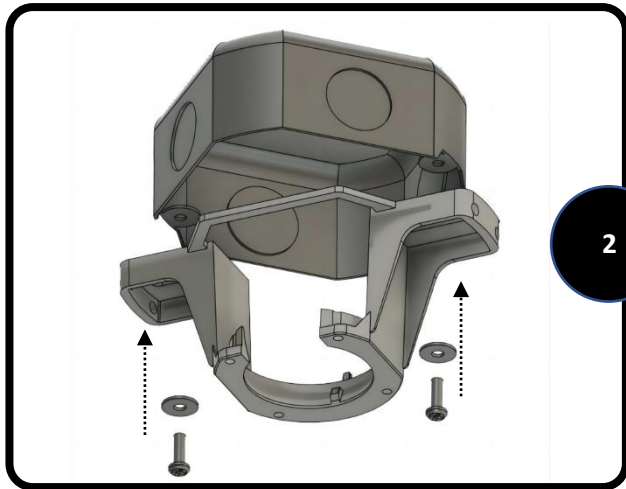
ASSEMBLY INSTRUCTIONS



1. Turn OFF the electrical power at the main fuse or circuit breakers.

NOTE: Before continuing installation, confirm that the power is still turned off at the main circuit breaker or by removing the correct fuse. Turning the power off using a wall switch is not sufficient to prevent electrical shock.

If replacing an existing ceiling fan be sure to remove the old mounting bracket as well.



2. The mounting bracket is shipped inside the canopy. Loosen the two canopy mounting screws and separate the bracket from the canopy. Secure the mounting bracket to the outlet box (not included) using the screws and washers provided with the outlet box.

WARNING: To reduce the risk of fire, electrical shock, or personal injury, mount to the outlet box marked “acceptable for fan support” using the mounting screws and washers provided with the outlet box.



3. **PREPARING FOR DOWNROD:** Loosen but do not remove the two set screws in the yoke. Set screws need to be loosened enough to allow for the down rod to fully insert into the yoke.

ASSEMBLY INSTRUCTIONS

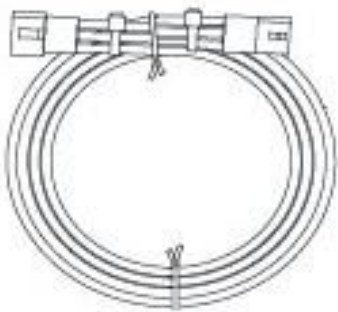


- 4. DOWNROD ASSEMBLY & MOUNT for 6" DOWN ROD** – Remove the down rod pin and down rod clip from the down rod.

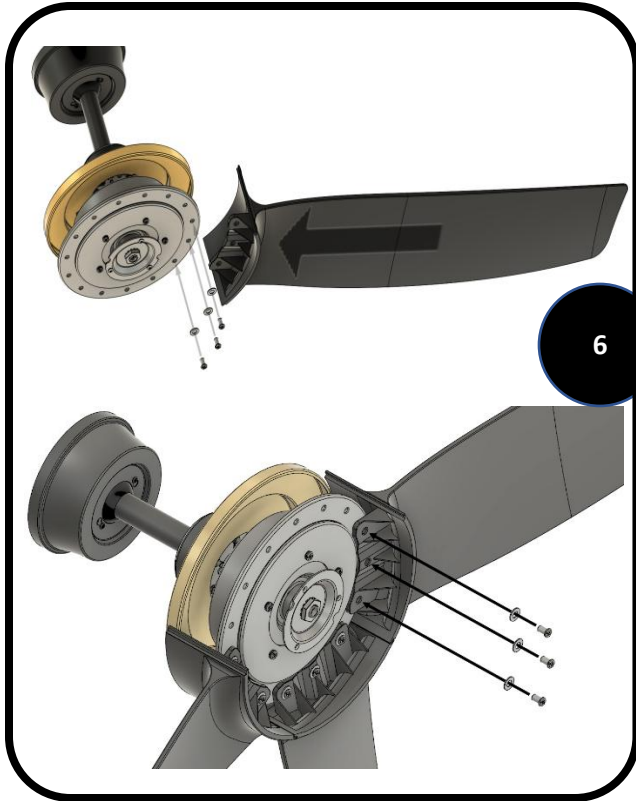
Slide the canopy onto the down rod with the open end facing up toward the ball. Slide the yoke cover onto the down rod with the flat end toward the canopy and down rod ball.

- 5.** There are two (2) wire harnesses with plugs that come out of the top of the motor housing: one for the motor (3 wires) and one for the light kit (2 wires). Feed the entire length of both wire harnesses through the bottom of the down rod and out the top of the down rod ball. Insert the down rod into the yoke and reinstall the down rod pin through all holes of the yoke and the downrod and then secure the down rod clip through the hole in the pin. Then securely re-tighten the two set screws.

NOTE: The fan comes with 16 in. lead wires for use with the provided 4 and 6 in. downrods. If you wish to use a longer downrod, an extension wire of 43 in. is available that connects to the molded plugs from the fan. For purchase visit BlueMountainFans.com.



ASSEMBLY INSTRUCTIONS



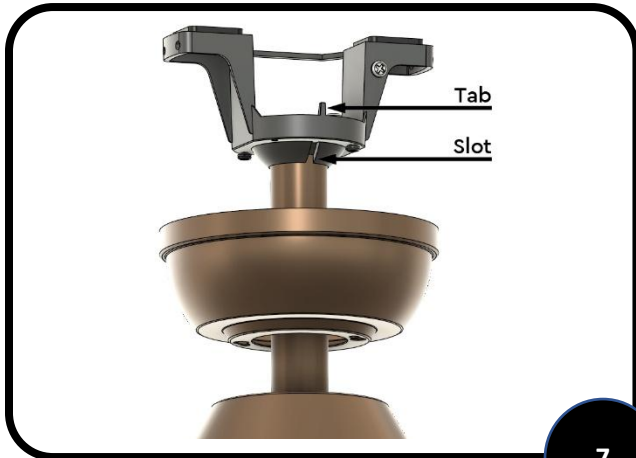
INSTALLING THE FAN BLADES

6. Place the end of the blade with the blade holder under the flywheel (bottom of the motor housing). Confirm proper positioning of the blade and note the “This side up” sticker on the top of the blade.

Align the blade bracket mounting holes with the mounting holes in the bottom of the flywheel. Attach the blade to the flywheel using the (3) blade screws and washers provided for each blade and securely tighten the blade screws. Do not over torque or over tighten the blade screws.

Repeat for the remaining (4) blades.

HANGING THE FAN



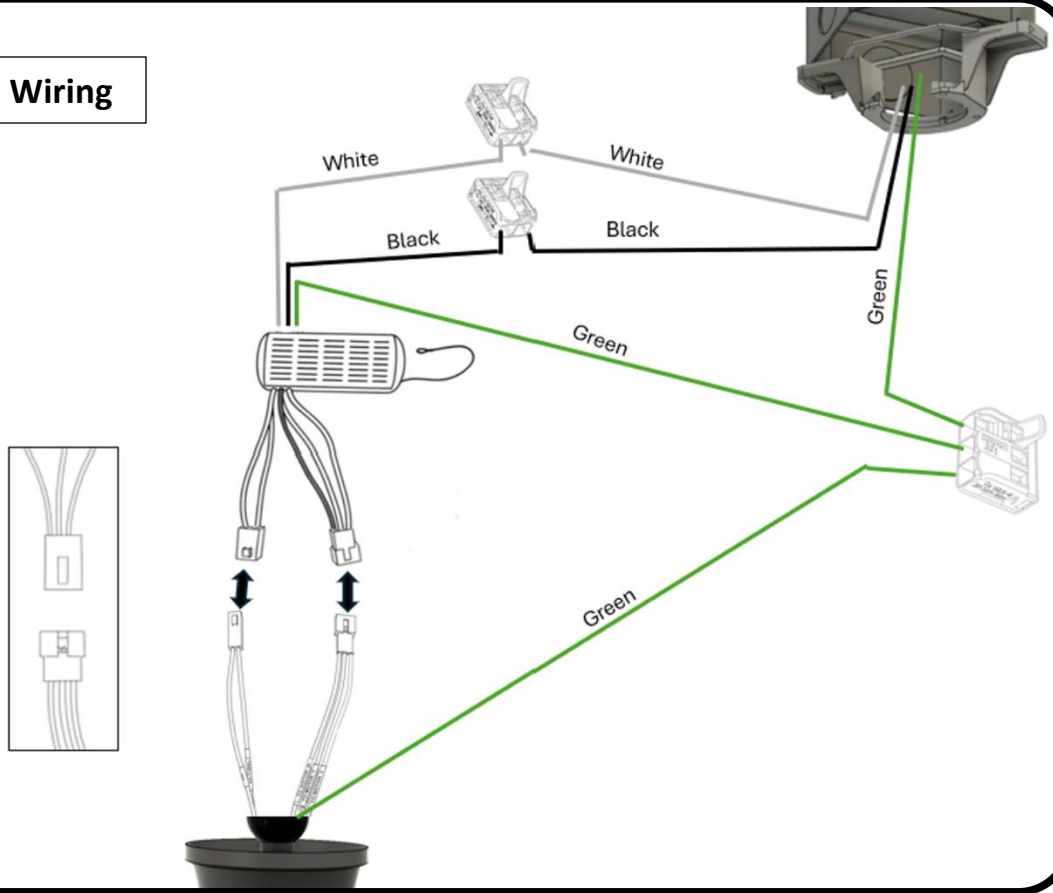
7. Lift the down rod into the mounting bracket. Rotate the down rod until the tab in the mounting bracket is seated in the slot in the down rod ball. The down rod should drop down securely onto the tab. Slide the remote receiver into the mounting bracket with the slotted side facing down towards the down rod ball until the receiver is centered on top of the ball/downrod assembly. You are now ready to wire the fan.

WARNING: The fan and/or down rod should not rotate in the mounting bracket if installed correctly. Failure to align the slot in the down rod ball with the tab may result in fan falling, with the potential of causing serious injury or death.

ASSEMBLY INSTRUCTIONS

Single Switch Wiring

8



8. Connecting the fan to the remote receiver:

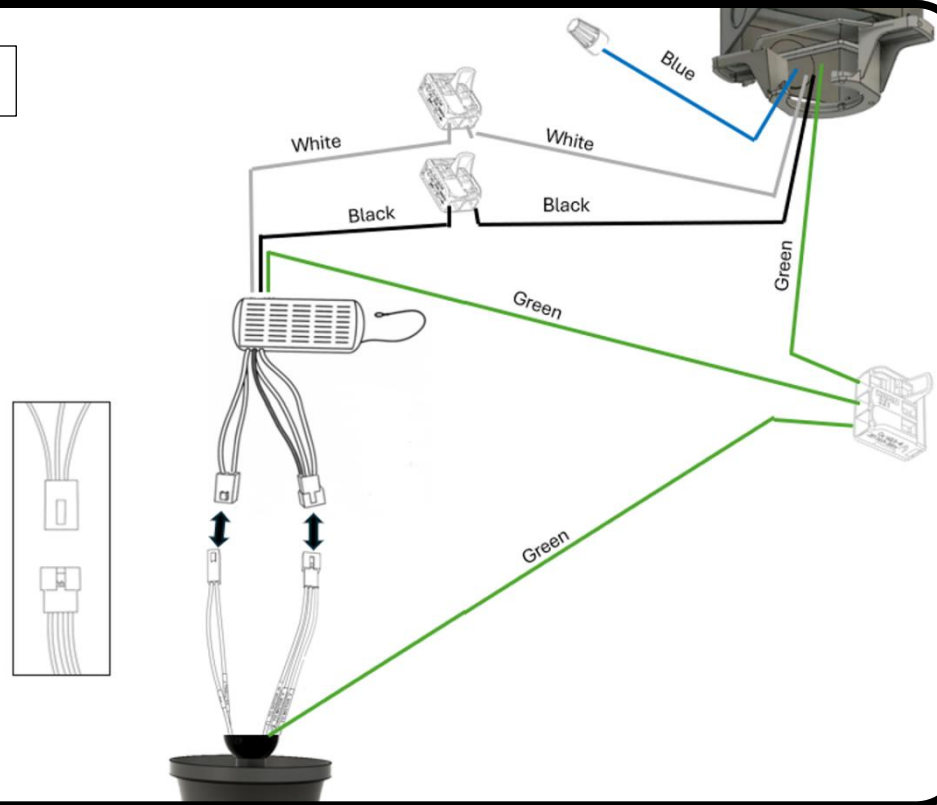
- Using the plug connectors, connect the 3-wire harness from the fan into the 3-wire harness coming from the remote receiver.
- Repeat same process for the 2-wire connectors.

Connecting the remote receiver to the power supply:

- Connect the white (neutral) wire from the ceiling to the white wire from the remote receiver using a 2-pin lever connector.
- Connect the black (hot) wire from the ceiling to the black wire from the remote receiver using a 2-pin lever connector.
- Connect all ground (green) wires together using the 3-pin lever connector.
- **IMPORTANT:** Make sure all connections are secure, and the wires do not come loose from the lever connectors. Carefully turn the splices upward through the hanger bracket and push them back up into the outlet box. Be sure to tuck the receiver antenna wire inside the canopy but not up inside the outlet box.
- **NOTE:** The warranty is voided with the use of any wall mounted speed control devices or electrical dimming switches. The fan is designed to be controlled with the use of the handheld remote only.

ASSEMBLY INSTRUCTIONS

Dual Switch Wiring



Connecting the fan to the remote receiver:

- Using the plug connectors, connect the 3-wire harness from the fan into the 3-wire harness coming from the remote receiver.
- Repeat same process for the 2-wire connectors.

Connecting the remote receiver to the power supply:

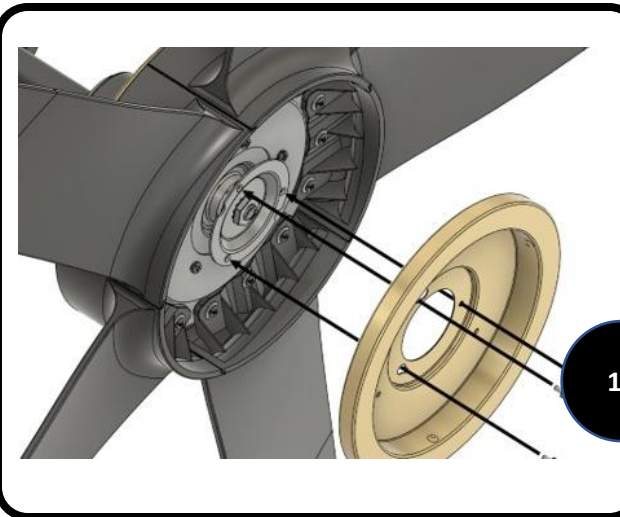
- Connect the white (neutral) wire from the ceiling to the white wire from the remote receiver using a 2-pin lever connector.
- Connect the black (hot) wire from the ceiling to the black wire from the remote receiver using a 2-pin lever connector.
- Connect all ground (green) wires together using the 3-pin lever connector:
- Cap off the blue or red wire coming from the ceiling using a wire nut.
- **IMPORTANT:** Make sure all connections are secure, and the wires do not come loose from the lever connectors. Carefully turn the splices upward through the hanger bracket and push them back up into the outlet box. Be sure to tuck the receiver antenna wire inside the canopy but not up inside the outlet box.
- **NOTE:** The warranty is voided with the use of any wall mounted speed control devices or electrical dimming switches. The fan is designed to be controlled with the use of the handheld remote only.

ASSEMBLY INSTRUCTIONS



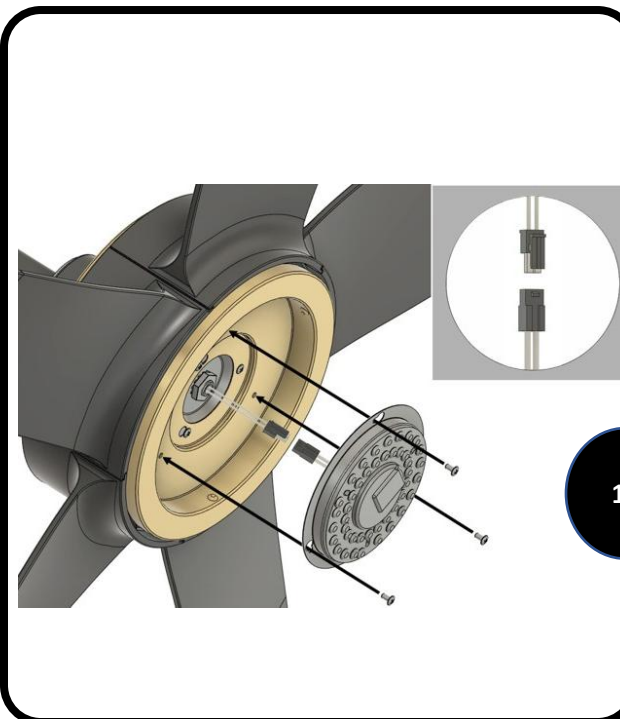
- 9.** Locate the (2) screws on underside of hanging bracket and loosen screws. Place rounded part of slotted hole in canopy over the loosened screws in hanging bracket and push up. Make sure all wires are tucked into the canopy and will not be pinched. Twist canopy to lock. Tighten screws securely.

INSTALLING THE LIGHT KIT



- 10.** Remove one (1) of the pre-installed screws on the motor shaft ring and loosen the other two (2) screws. Position the light kit plate under the fan as shown and feed the light kit wire bundle through the cut out in the center of the light kit plate. Line up the two keyhole slots on the light kit plate with the two loosened screws and lock into place and tighten down. Install the remaining screw in the remaining hole.

Remove (1) of the pre-installed screws on the light kit plate and loosen the other (2) screws. Center the light kit board over the light kit plate and pull the light kit connector from the wiring bundle through the center hole of the light kit board. Line up the two keyhole slots on the LED lighting board with the two loosened screws, lock the screws into place, and tighten down. Install and tighten down the remaining screw.



- ### CONNECTING THE LIGHT KIT
- 11.** Connect the wiring from the LED lighting board to the fan wiring by connecting the two ends of the push-pin wiring harness. Note the clip on the outside of the one connector should engage and snap together with the catch on the other connector. Push the connectors and excess wire back up into the center hole so that it will not block any of the light output.

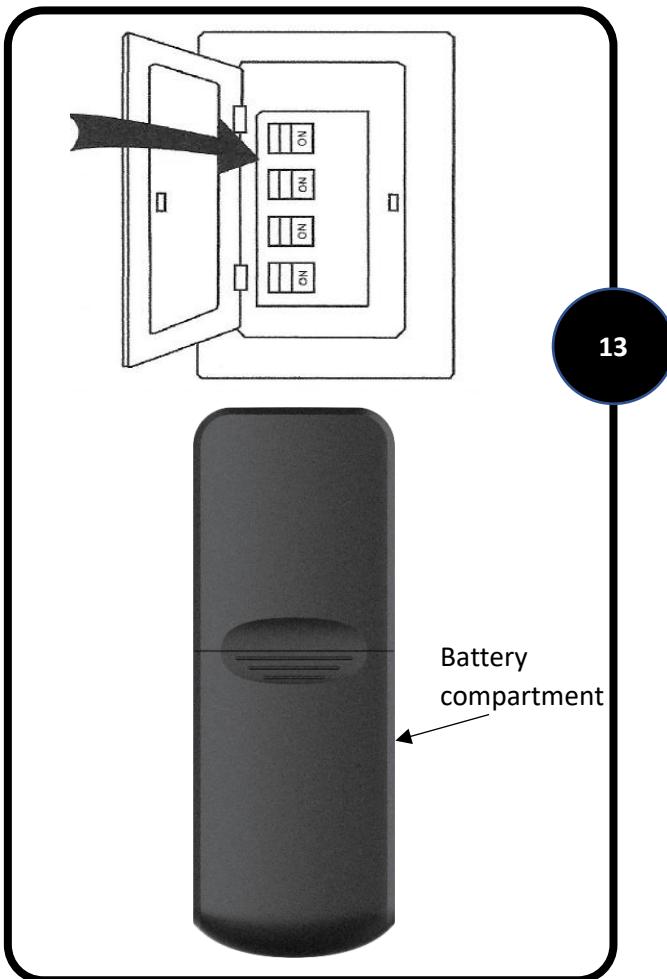
ASSEMBLY INSTRUCTIONS



12. INSTALLING THE LIGHT KIT SHADE

Position the light kit shade to line up with the bottom of the light kit. While holding the light kit shade up to the bottom of the light kit, turn the glass clockwise until the notch in the light kit shade slips into the light kit channel. Continue to turn clockwise until snug. **DO NOT OVERTIGHTEN.**

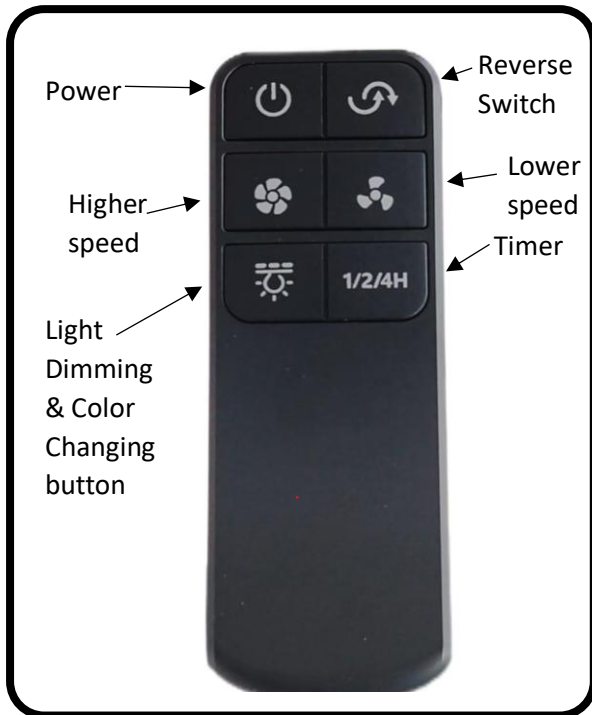
Assembly complete.



13. Restore the power to the main fuse or circuit breaker. Install the batteries (included) into the battery compartment on the back of the handheld remote control.

NOTE: *This fan is damp rated and is suitable for use either indoors or in damp covered outdoor locations when installed in a GFCI protected branch circuit.*

OPERATING INSTRUCTIONS



Note: Your Origine fan has a highly efficient DC motor, and the blades will turn back and forth a couple times when first starting up.

The back-and-forth action is part of the DC motor blade calibration and will occur upon each start up. This process is normal and will ensure the blades consistently run in a balanced and energy efficient manner.

USING THE REMOTE CONTROL

- Power button: Turns fan ON/OFF. The remote has built-in memory: the fan and light will come on at the same settings as the last time the power supply was turned off.
- Fan Speed button: 1 is the lowest speed and 6 is the highest speed. Press higher speed button or lower speed button to change the 6 speeds of the fan. With the fan on, push once and release for next speed setting.
- Light Dimming and Color Changing button (fan must be on):
 - For adjusting light brightness level, push and hold the button. Light will adjust in brightness from full brightness or down to fully dimmed until button is released.
 - For color changing: with the LED light on, push this button once to turn the light off and then push again within 5 seconds to adjust the color. Repeat the cycle until desired color temperature is obtained. Cycle is Soft White, Bright White, and Daylight.
- Timer (OFF) button: Offers 1-, 2-, or 4-hour delay. With fan on, press once for 1 hour (LEDs flash 1X), press again for 2 hours (LEDs flash 2X), and press again for 4 hours (LEDs flash 3X). Pressing one last time or pressing the power button OFF will cancel the timer setting.
- Using the "Safe Exit" feature: Your remote features our Safe Exit mode which allows extra time to safely exit the room with the light still on:
 - Press and hold the fan OFF button for 5 seconds and then release it to initiate the Safe Exit mode.
 - The light will briefly flash and remain on, and the fan will be off.
 - The light will stay on for approximately 60 seconds and then turn off automatically.

OPERATING INSTRUCTIONS



OPTIMIZING YOUR FAN'S PERFORMANCE USING THE REVERSE SWITCH

Use the fan reverse switch, located on the top right of the remote control, to optimize your fan for seasonal performance. Using a ceiling fan will allow you to raise your thermostat setting in summer and lower your thermostat setting in winter without sacrificing your comfort.

In warmer weather, change the fan blade rotation to a counterclockwise direction which will result in downward airflow creating a cooling wind chill effect.

In cooler weather, reverse the fan blade rotation to a clockwise direction which will result in upward flow that can help move stagnant, hot air off the ceiling area and back down into the room.

IMPORTANT: While the fan is running, press the reverse button once, and the fan will reverse direction.

This equipment has been tested and found to comply with the limits for a Class B digital device, pursuant to part 15 of the FCC Rules. These limits are designed to provide reasonable protection against harmful interference in a residential installation. This equipment generates, uses and can radiate radio frequency energy and if not installed and used in accordance with the instructions may cause harmful interference to radio communications.

However, there is no guarantee that interference will not occur in a particular installation. If this equipment does cause harmful interference to radio or television reception, which can be determined by turning the equipment off and on, the user is encouraged to try to correct the interference by one or more of the following measures:

- Reorient or relocate the receiving antenna.
- Increase the separation between the equipment and receiver.
- Connect the equipment into an outlet on a circuit different from that to which the receiver is connected.
- Consult the dealer or an experienced radio/TV technician for help.

Caution: modifications not approved by the party responsible for compliance could void the user's authority to operate the equipment.

This device complies with Part 15 of the FCC Rules. Operation is subject to the following two conditions: (1) This device may not cause harmful interference, and (2) this device must accept any interference received, including interference that may cause undesired operation.

TROUBLESHOOTING

FAN DOES NOT START:

- Confirm all wiring connections are secure: lever connectors are closed and wires are secure.
- Check the circuit breaker and confirm the power is ON.
- Make sure the wall switch is ON.
- Confirm the battery is installed correctly in the handheld remote; install fresh batteries.
- Make sure you are in the normal range for the remote control of 10' – 20' (3m – 6m).
- Check that the motor reversing switch is correctly engaged. With the fan running, push the reverse switch button once and confirm that the fan stops for up to 5 seconds and then reverses direction. If the fan has reversed direction then the switch is properly engaged.
- Confirm that the blades spin freely and that there are no obstructions between the blades or into the motor housing. Turn off power at circuit breaker and at wall switch, loosen the canopy, and check that all wiring connections from the household supply wires to the remote receiver and to the fan wires are secure.

FAN IS NOISY:

- Make sure all screws are snug and secure including blade screws, blade iron screws (if applicable), light kit screws, and screws on canopy and switch housing cover.
- Make sure all blades and blade irons are properly installed.
- Some ceiling fan motors are sensitive to solid state variable speed wall controls. If the fan is controlled by these types of controls remove the control and replace it with a standard wall switch to enable the remote control to operate the fan and light.

FAN WOBBLES:

- Make sure the fan mounting bracket is securely tightened to the ceiling outlet box and the ceiling box is securely fastened to the ceiling joist or other adequate support structure.
- Confirm that the hanger ball is properly seated in the mounting bracket. The tab in the mounting bracket should be seated in the slot in the downrod ball.
- Make sure all blades are installed correctly, and all screws are secure. Also confirm that the two set screws in the downrod are tight in the yoke.
- Balance the fan blades using the blade balancing kit included with the fan.



WARNING: Before beginning any troubleshooting or maintenance work always shut off the power supply to avoid electrical shock hazard.

LIMITED LIFETIME WARRANTY

This limited lifetime warranty covers the ceiling fan from the date of purchase, for residential use by the original purchaser, against defects in material and/or workmanship as follows:


Motor Limited Lifetime Warranty: If the ceiling fan motor fails during the ownership of the fan due to a defect in material or workmanship, as determined solely by Blue Mountain Fans, a replacement fan will be provided at no charge. If no replacement product or part can be provided, then we will provide a comparable fan or part at the sole discretion of Blue Mountain Fans. This limited lifetime motor warranty applies only to the motor itself and does not apply to electronic controls (remote control transmitters, remote control receivers, or capacitors) used in conjunction with the motor. The aforementioned electronic items are covered under the one-year warranty below.


One Year Warranty on all other parts: Except as otherwise indicated throughout this warranty, if any part of your Blue Mountain ceiling fan fails at any time within one year of the date of purchase due to a defect in material or workmanship and as solely determined by Blue Mountain Fans, a replacement part will be provided at no charge.

Glass globes, light bulbs, remote control batteries, ordinary wear and tear, and fans that are damaged by improper installation, mishandling, modifications, or damage to the fan while in your possession, or unreasonable use including failure to provide necessary maintenance are not covered under this warranty. This warranty does not cover any costs or fees associated with the labor required to install, remove, or replace a fan or any fan parts, including electrician fees or labor charges.

Any replacement of defective parts for the ceiling fan must be reported within the first year from the date of purchase. The original purchaser must present a sales receipt or other document that establishes proof of purchase. To obtain service please contact Blue Mountain Fans Customer Service online or by phone as noted below. Do not attempt to ship your fan or any parts to Blue Mountain Fans without prior written approval as otherwise your delivery will be refused. Blue Mountain Fans shall not be liable for any incidental, consequential, or special damage arising at or in connection with product use or performance except as may otherwise be accorded by law. This warranty gives you specific legal rights and you may also have other rights which vary from state to state. This warranty supersedes all prior warranties.

Blue Mountain Fans Customer Service:

 1-770-486-2000

 CustomerService@BlueMountainFans.com

