



42" Prism Ceiling Fan

Owner's Manual
Models #21304/05



SAFETY INSTRUCTIONS

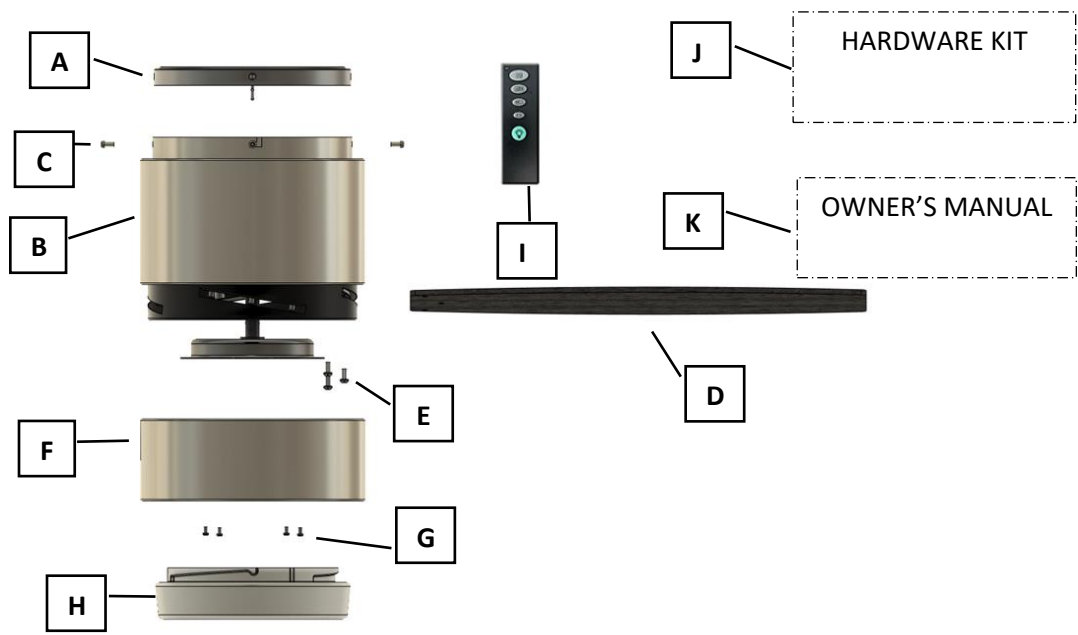
WARNING:

- To avoid risk of electrical shock, be sure to shut off power at the main fuse or circuit breaker panel box before installing or servicing this fixture. Turning off the electrical power by using the light switch only is not sufficient to prevent electrical shock hazard.
- To reduce the risk of injury, install the fan so that the blades are at least 7 feet (2.1 meters) above the floor and at least 30 inches (0.76 meters) from the tip of the blades to the wall.
- To reduce the risk of fire, electric shock, or personal injury, mount to outlet box marked “acceptable for fan support up to 35 lbs. (16 kg)” and use mounting screws provided with the outlet box.
- All wiring must be in accordance with the National Electrical Code ANSI/NFPA 70 and any applicable local codes. Electrical installation should be performed by a qualified licensed electrician.
- To reduce the risk of fire or electric shock, do not use this fan with any solid-state speed control device.

CAUTION:

- Check and retighten all screws, nuts, and bolts to insure they are secured prior to operating the fan.
- Do not bend the blade iron brackets when installing the brackets, balancing the blades, or cleaning the fan. Do not insert foreign objects in between rotating fan blades.
- Be sure outlet box is properly grounded and that a ground wire (green or bare) is present.
- When changing (reversing) the blade direction, turn off the fan and wait for the fan blades to stop completely.
- To reduce the risk of serious bodily injury, do not use power tools to assemble any part of the fan, including the blades.
- To reduce the risk of personal injury, use only parts provided with this fan. The use of parts other than those provided with this fan will void the warranty.
- Do not use water or detergents when cleaning the fan or fan blades. A dry dust cloth or lightly dampened cloth is recommended to prevent scratching and will be suitable for most cleaning.
- In case this fan needs to be returned to the factory for repairs, it must be shipped in its original carton and foam inserts to insure proper protection against shipping damage that may exceed the initial cause for return.
- Please read and understand these safety instructions and the installation guide before attempting to assemble, install, or operate the fan.

PACKAGE CONTENTS



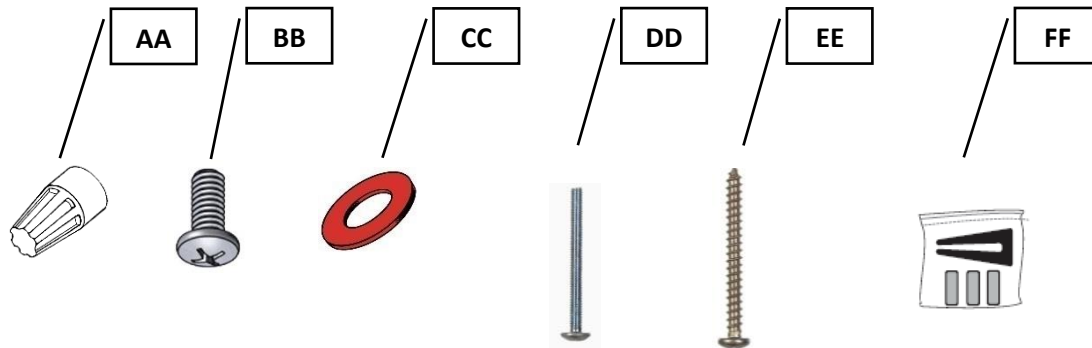
PART	DESCRIPTION	QUANTITY
A	Ceiling Mounting Bracket	1
B	Upper Motor Housing	1
C	Upper Motor Housing Screws	4
D	Blades	4
E	Blade Screws and Washers	12
F	Light Kit Housing	1

PART	DESCRIPTION	QUANTITY
G	Light Kit Housing Screws (pre-installed on bottom of motor housing)	4
H	Light Kit Glass	1
I	Handheld Remote Control and 12V Battery	1
J	Hardware Bag and Balancing Kit	1
K	Owner's Manual	1
L	Remote Receiver (not shown - preinstalled in top housing)	1

⚠ IMPORTANT REMINDER: You must use the parts provided with this fan for proper installation and safety.

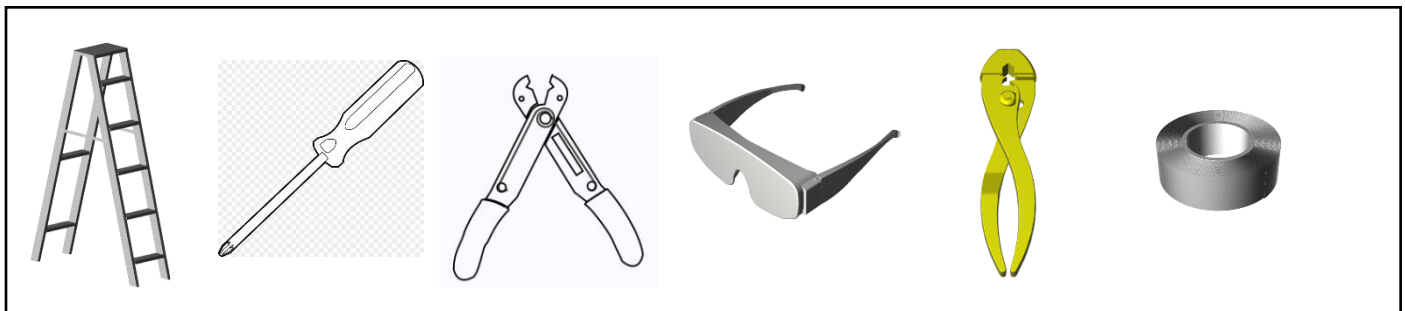
HARDWARE KIT CONTENTS

PART	DESCRIPTION	QUANTITY
AA	Wire Connectors: 3 large for house wiring	3
BB	Blade screws	12
CC	Fiber Blade Washers	12
DD	Machine Screws and Lock Washers	2 each
EE	Wood Screws and Washers	4 each
FF	Balance Kit	1



NOTE: For your convenience some extra hardware may be included. The quantity listed above is the number required for installation.

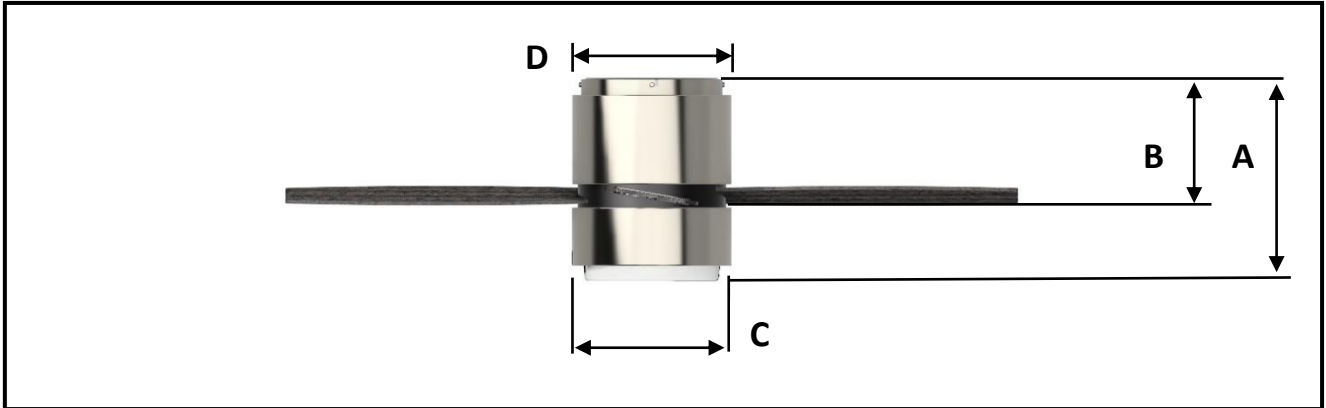
TOOLS REQUIRED (not included)



Tools required for assembly: Step Ladder, Phillips Screwdriver, Wire Strippers, Safety Glasses, Pliers, and Electrical Tape.

Helpful Tools: AC Tester Light/Multimeter, Tape Measure, and Wiring Handbook

DIMENSION REFERENCE



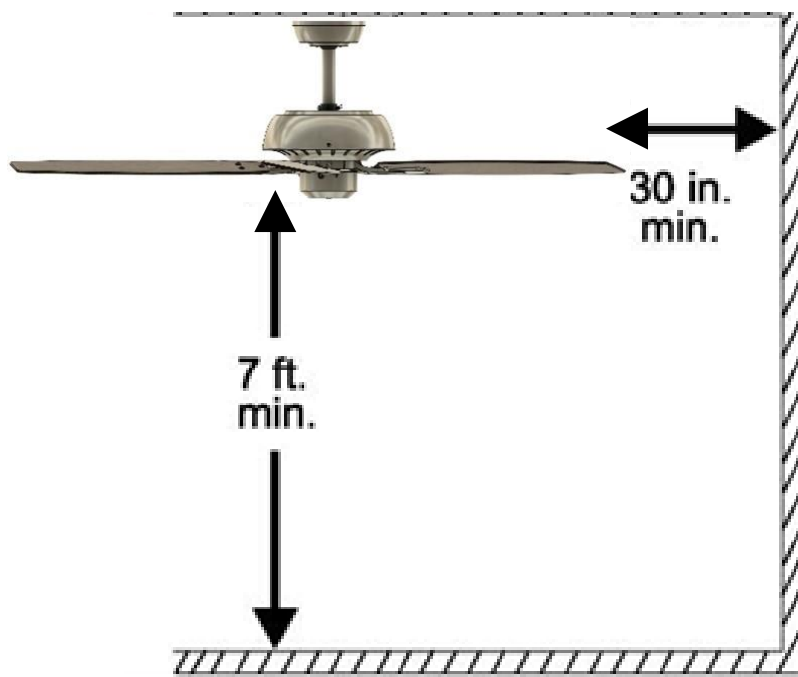
A: 11.5 in.

B: 7.4 in.

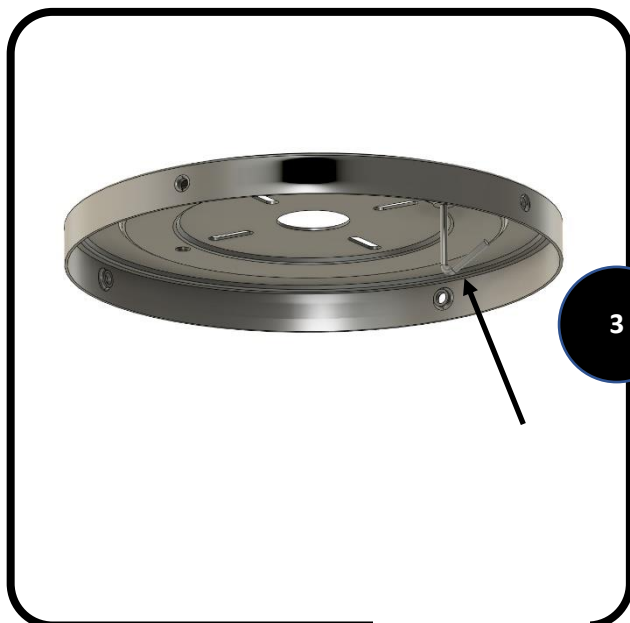
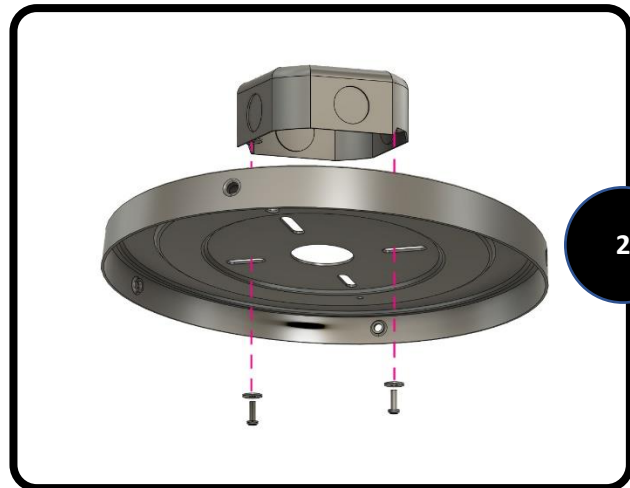
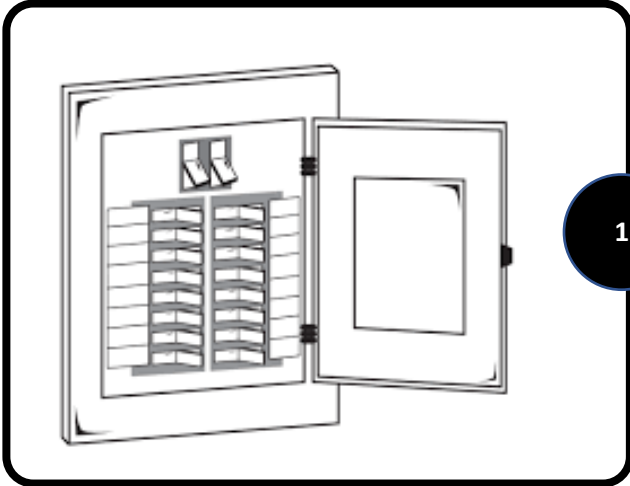
C: 9.1 in.

D: 8.1 in.

NOTE: Make sure blades are at least 30 inches from any wall or obstruction and at least 7 feet above the floor.



ASSEMBLY INSTRUCTIONS



1. Turn OFF the electrical power at the main fuse or circuit breakers.

NOTE: Before continuing installation, confirm that the power is still turned off at the main circuit breaker or by removing the correct fuse. Turning the power off using a wall switch is not sufficient to prevent electrical shock.

2. Secure the mounting bracket to the outlet box (not included) using the screws and washers provided with the outlet box. Feed the wires from the ceiling box through the center hole of the mounting bracket.

WARNING: To reduce the risk of fire electrical shock, or personal injury, mount to the outlet box marked “acceptable for fan support” using the mounting screws and washers provided with the outlet box.

3. Note the hanging hook on the underside of the mounting bracket. The upper motor housing will be temporarily hung from this hanging hook in the next step.

ASSEMBLY INSTRUCTIONS



- Utilizing one of the holes in the top ring of the upper motor housing, hang the housing from the mounting hook as shown. This will allow for hands-free wiring of the fan.



Image A

- Locate the pre-installed remote receiver in the top of the motor housing. Locate the white, black, and green wires. These will be used for wiring the receiver to the house wiring in Step 6.

Confirm that the pre-installed 9-pin wiring harness plug that secures the connection between the fan and remote receiver is secure. If it is not connected, line up the two 9-pin plugs and connect until snug. The side with the clip needs to line up with the side that has the clip catch. See A.

The remote receiver should look similar to this photo. See B.

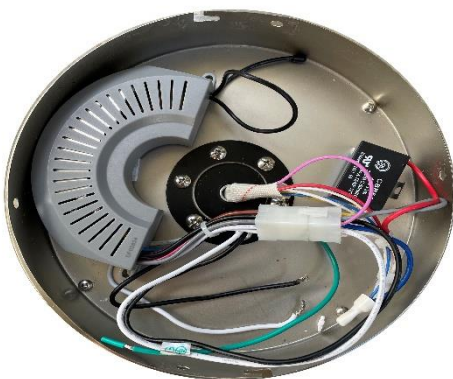
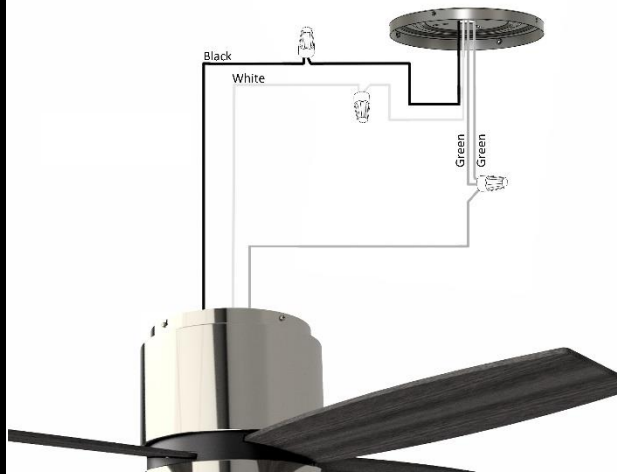


Image B

ASSEMBLY INSTRUCTIONS

6



6. WIRING THE FAN:

Use the supplied wire connectors to connect the wires from the remote receiver to the power supply wires coming out of the ceiling according to the wiring diagram and following instructions:

Connecting the remote receiver to the power supply:

- Connect the white wire from the receiver to the white wire coming from the ceiling. Secure with wire nut.
- Connect the black wire from the receiver to the black wire coming from the ceiling. Secure with wire nut.
- Connect all green (ground) wires together: Connect the green wire from the fan to the green wire from the mounting bracket and the green wire from the ceiling. Secure with wire nut.

Note: The black rubber wire coming out of the receiver is the antenna. Tuck that antenna wire alongside the inside of the top of the motor housing by the receiver so that it is out of the way when securing the motor housing to the ceiling bracket in the next step. The antenna wire is to remain on the inside of the motor housing.

IMPORTANT: After the connections have been made, make sure all connections are secure and the wires do not come loose from the wire nuts.

ASSEMBLY INSTRUCTIONS



7. SECURING THE MOTOR HOUSING:

Remove the motor housing body from the bracket hook and swing the fan up into place onto the ceiling bracket.

Note: When swinging the fan up onto the bracket, be sure that the mounting hook does not interfere with the remote receiver or the antenna wire.

Align the two keyhole screw openings with two screws that should be partially installed. Position the housing onto the two screws, slide into place in the keyhole slots, and tighten the screws. Using the remaining two screws from the mounting bracket, line up the other two holes in the side of the motor housing, insert screws, and tighten down. Confirm that the upper housing is secure.



8. INSTALLING THE BLADES:

Insert the blade into the blade slot around the motor housing and line up the three (3) holes at the end of the blade with the 3 holes in the motor housing. Secure the blade to the fan using (3) blade screws and (3) fiber blade washers.

Repeat for the remaining blades.

Note: To prevent the risk of overtightening, do not use power tools to assemble the blades.

ASSEMBLY INSTRUCTIONS



9

9. CONNECTING THE LIGHT KIT --

Position the light kit housing under the fan. Connect the light kit wiring harness by inserting the white wire from the fan to the white wire from the light kit and the black (or blue) wire from the fan to the black wire from the light kit. Be sure connections are firmly inserted and secure.



10

10. Remove the (4) pre-installed screws on the ring on the bottom of fan and line up the holes with the (4) holes on the light kit plate. Firmly secure the light kit plate to the fan with the (4) screws.



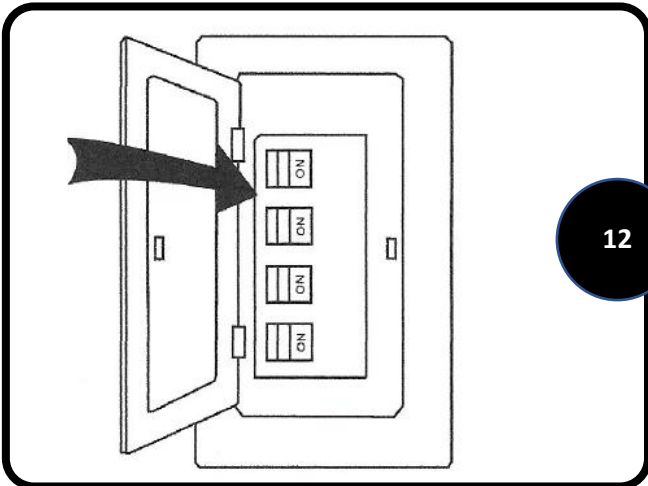
11

11. INSTALLING THE LIGHT KIT GLASS

Position the glass bowl to line up with the bottom of the light kit. While holding the glass up to the bottom of the light kit, turn the glass clockwise until the notch in the glass slips into the light kit channel. Continue to turn clockwise until snug and tight. **DO NOT OVERTIGHTEN.**

Assembly complete.

ASSEMBLY INSTRUCTIONS



12. Restore the power to the main fuse or circuit breaker.

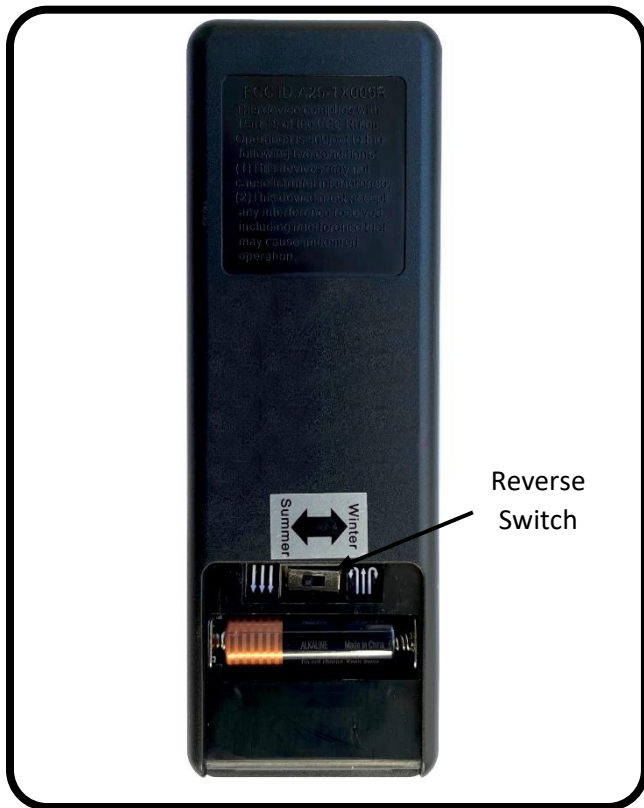
OPERATING INSTRUCTIONS



USING THE REMOTE CONTROL

- To turn the fan ON, press any of the three fan speed buttons (LOW, MED, HI).
- Press the OFF button to turn the fan off.
- To turn on the light, quickly press and release the light bulb button.
- To raise or dim the light level, hold down the light bulb button until the desired level of brightness is reached then release.
- Using the “Safe Exit” feature: Your remote features our Safe Exit mode which allows extra time to safely exit the room with the light still on:
 - Press the fan OFF button for 5 seconds to initiate the Safe Exit mode.
 - The light will remain on, and the fan will be off.
 - The light will stay on for approximately 60 seconds and then turn off automatically.

OPERATING INSTRUCTIONS



REVERSE SWITCH

Use the fan reverse switch, conveniently located in the battery compartment of the handheld remote, to optimize your fan for seasonal performance. Using a ceiling fan will allow you to raise your thermostat setting in summer and lower your thermostat setting in winter without feeling a difference in your comfort.

In warmer weather, move the reverse switch to the left which will result in downward airflow creating a wind chill effect.

In cooler weather, move the reverse switch to the right which will result in upward flow that can help move stagnant, hot air off the ceiling area.

IMPORTANT: Wait for fan to stop before moving the reverse switch. The reverse switch must be set either completely to the left or right for the fan to function correctly. If the reverse switch is set in the middle position, the fan will not operate.

TROUBLESHOOTING

FAN DOES NOT START:

- Check the circuit breaker and confirm the power is ON.
- Make sure wall switch is ON.
- Confirm the battery is installed correctly in the handheld remote; install a fresh battery.
- Make sure you are in the normal range for the remote control of 10' – 20' (3m – 6m).
- Check that the motor reversing switch is correctly engaged and set to left or right position. The reverse switch will either be on the top of the motor housing or in the remote battery compartment (varies by model). Fan will not run if switch is in the middle.
- Confirm that the blades spin freely and that there are no obstructions between the blades or into the motor housing. Turn off power at circuit breaker and at wall switch, loosen the canopy, and check that all wiring connections from the household supply wires to the remote receiver and to the fan wires are secure.

FAN IS NOISY:

- Make sure all screws are snug and secure including blade screws into the blade irons, blade irons onto the motor, and screws on canopy and switch housing cover.
- Make sure all blades and blade irons are properly installed.
- Some ceiling fan motors are sensitive to solid state variable speed wall controls. If the fan is controlled by these types of controls remove the control and replace with a standard wall switch to enable the remote control to operate the fan and light.

FAN WOBBLES:

- Make sure fan mounting bracket is securely tightened to the ceiling outlet box and the ceiling box is securely fastened to the ceiling joist or other adequate support structure.
- Confirm that the hanger ball is properly seated in the mounting bracket. The tab in the mounting bracket should be seated in the slot in the downrod ball.
- Make sure all blades are installed correctly and all screws are secure. Also confirm that the two set screws in the downrod are tight in the yoke.
- Balance the fan blades using the blade balancing kit included with the fan.



WARNING: Before beginning any troubleshooting or maintenance work always shut off the power supply to avoid electrical shock hazard.

LIMITED LIFETIME WARRANTY

This limited lifetime warranty covers the ceiling fan from the date of purchase, for residential use by the original purchaser, against defects in material and/or workmanship as follows:

Motor Limited Lifetime Warranty: If the ceiling fan motor fails during the ownership of the fan due to a defect in material or workmanship, as determined solely by Blue Mountain Fans, a replacement fan will be provided at no charge. If no replacement product or part can be provided, then we will provide a comparable fan or part at the sole discretion of Blue Mountain Fans. This limited lifetime motor warranty applies only to the motor itself and does not apply to electronic controls (remote control transmitters, remote control receivers, or capacitors) used in conjunction with the motor. The aforementioned electronic items are covered under the one-year warranty below.

One Year Warranty on all other parts: Except as otherwise indicated throughout this warranty, if any part of your Blue Mountain ceiling fan fails at any time within one year of the date of purchase due to a defect in material or workmanship and as solely determined by Blue Mountain Fans, a replacement part will be provided at no charge.

Glass globes, light bulbs, remote control batteries, ordinary wear and tear, and fans that are damaged by improper installation, mishandling, modifications, or damage to the fan while in your possession, or unreasonable use including failure to provide necessary maintenance are not covered under this warranty. This warranty does not cover any costs or fees associated with the labor required to install, remove, or replace a fan or any fan parts, including electrician fees or labor charges.

Any replacement of defective parts for the ceiling fan must be reported within the first year from date of purchase. Original purchaser must present a sales receipt or other document that establishes proof of purchase. To obtain service please contact Blue Mountain Fans Customer Service online or by phone as noted below. Do not attempt to ship your fan or any parts to Blue Mountain Fans without prior written approval as otherwise your delivery will be refused. Blue Mountain Fans shall not be liable for any incidental, consequential or special damages arising at or in connection with product use or performance except as may otherwise be accorded by law. This warranty gives you specific legal rights and you may also have other rights which vary from state to state. This warranty supersedes all prior warranties.

Blue Mountain Fans Customer Service:

☎ 1-770-486-2000



CustomerService@BlueMountainFans.com

